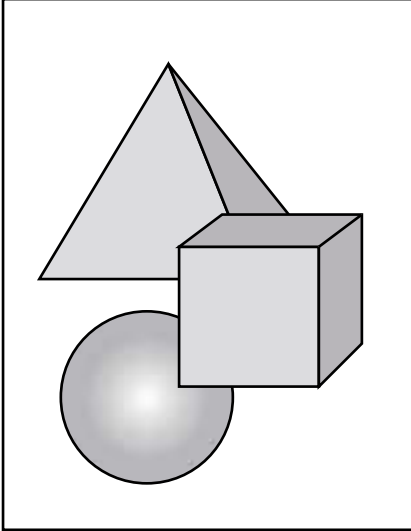




# Paint-By-Grids™

## *Artist Drawing Test*

See how Paint-By-Grids works to help you sketch and draw more accurately. Our products are great teaching aids. Try this test below to see for yourself! Sketch the shapes first without grids, then flip the page over and try it with the grids.



Sketch the shapes on the "canvas" at right.

Don't worry about shading now; just draw the major outlines.

See how accurate you can be without using grids.

When you're done, flip the page over and try it again, but this time with the Paint-By-Grids grid pattern.

See what a difference the grids make! This is the easiest way to teach painting as well!

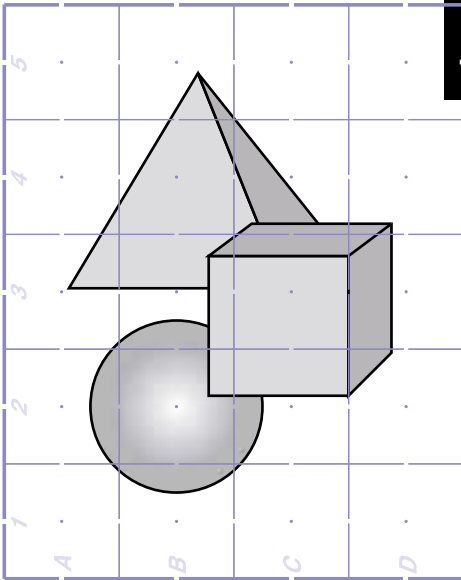
For more information:  
[www.paintbygrids.com](http://www.paintbygrids.com)  
or email us at  
[sales@paintbygrids.com](mailto:sales@paintbygrids.com).

Teachers & Resellers, ask about our discounts for you when you buy in bulk.



# Paint-By-Grids™

**Now Try it with Grids!**



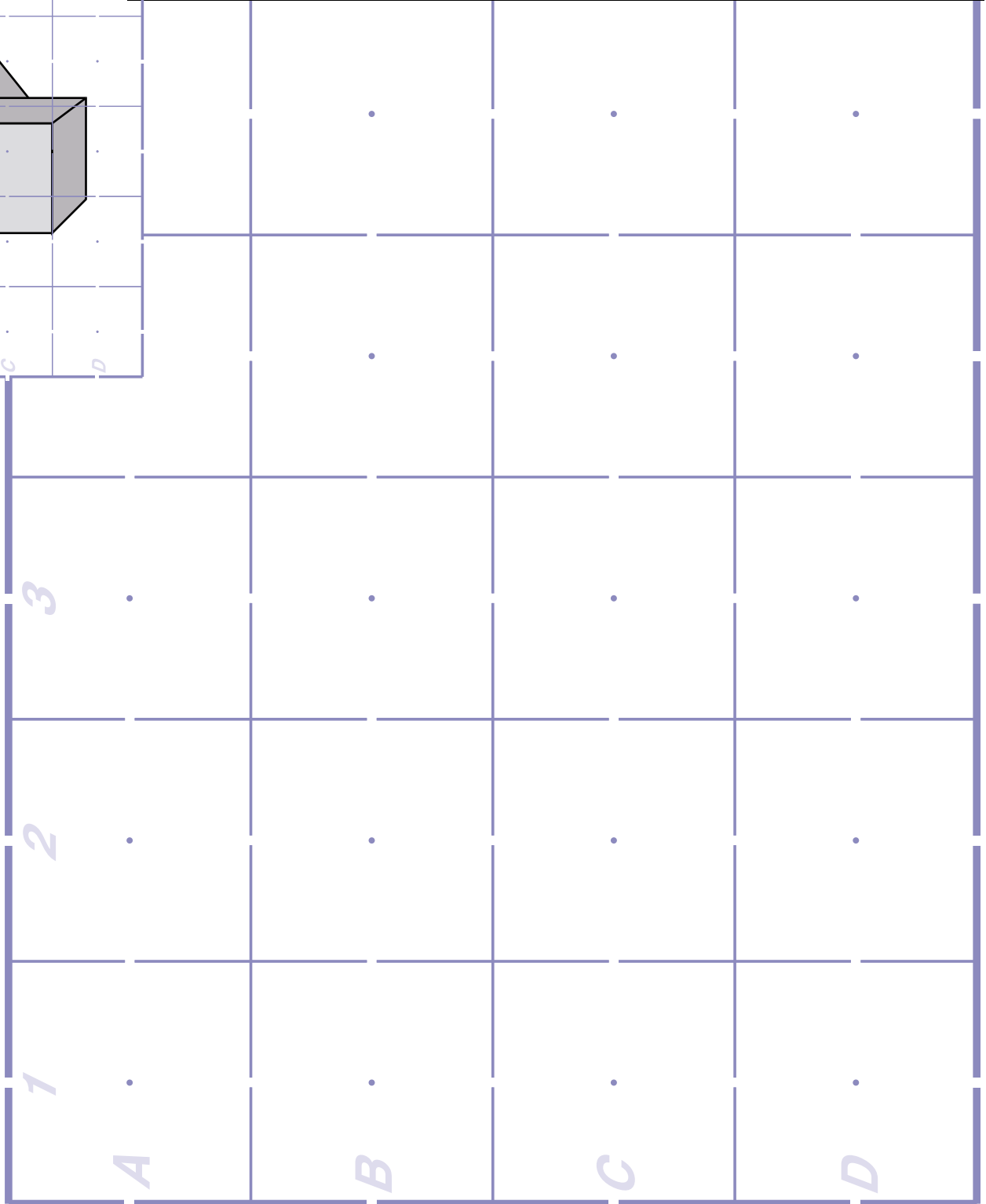
Now sketch each cell, one-at-a-time, onto the gridded canvas at right.

Use the dots and gaps as further reference points.

Imagine being able to use grids to sketch out a subject for an oil or acrylic painting.

Paint-By-Grids products make it possible! Just use our GuideSet for the original image, and our pre-gridded canvases or transfer sheets!

See our website at [www.paintbygrids.com](http://www.paintbygrids.com) for more information.



Resellers & Teachers get a discount... see [www.paintbygrids.com/resellers](http://www.paintbygrids.com/resellers) or [www.paintbygrids.com/educators](http://www.paintbygrids.com/educators).